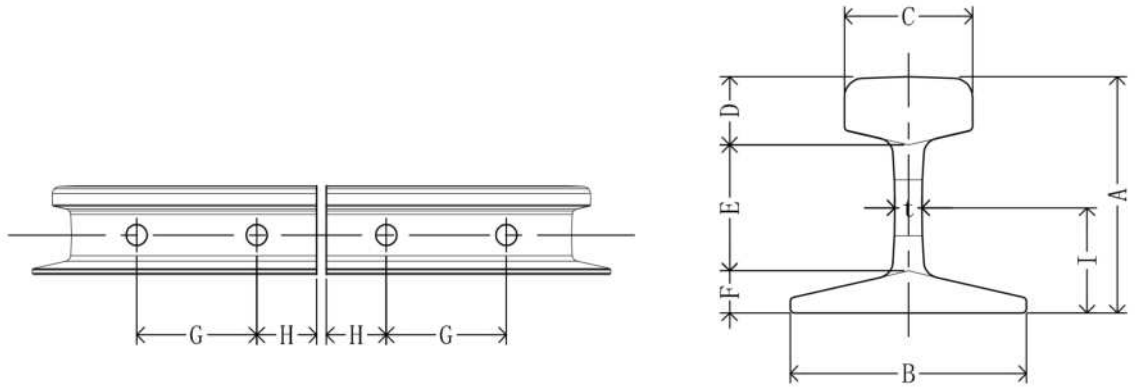


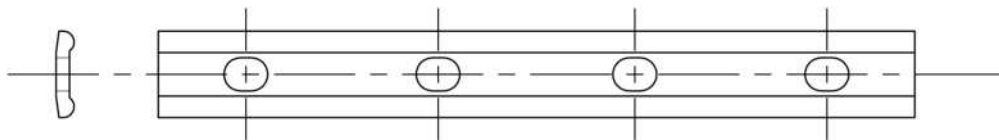
# 軌条形状寸法及び重量



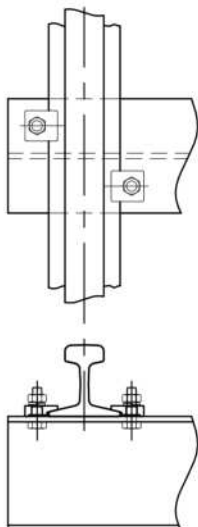
## 諸 元

| 種類       | 標準長さ (m) | 寸 法    |        |       |       |       |       |       |        |       |       |       |
|----------|----------|--------|--------|-------|-------|-------|-------|-------|--------|-------|-------|-------|
|          |          | Amm    | Bmm    | Cmm   | t mm  | Dmm   | Emm   | Fmm   | Gmm    | Hmm   | d mm  | l mm  |
| 15kg     | 10       | 79.37  | 79.37  | 42.86 | 8.33  | 22.22 | 43.65 | 13.50 | 101.60 | 50.80 | 19.05 | 35.32 |
| 22kg     | 10       | 93.66  | 93.66  | 50.80 | 10.72 | 26.99 | 50.00 | 16.67 | 127.00 | 63.50 | 22.22 | 41.67 |
| 30kg     | 10       | 107.95 | 107.95 | 60.33 | 12.30 | 30.95 | 57.55 | 19.45 | 127.00 | 60.50 | 25.40 | 48.22 |
| 37kg     | 25       | 122.24 | 122.24 | 62.71 | 13.49 | 36.12 | 64.69 | 21.43 | 127.00 | 60.50 | 25.40 | 53.78 |
| 40kgN    | 25       | 140.00 | 122.00 | 64.00 | 14.00 | 41.00 | 73.50 | 25.50 | 130.00 | 77.00 | 24.00 | 57.00 |
| 50kg(PS) | 25       | 144.46 | 127.00 | 67.87 | 14.29 | 46.04 | 70.64 | 27.78 | 127.00 | 60.50 | 32.00 | 63.10 |
| 50kgN    | 25       | 153.00 | 127.00 | 65.00 | 15.00 | 49.00 | 74.00 | 30.00 | 130.00 | 77.00 | 24.00 | 63.00 |
| 50T      | —        | 160.00 | 136.00 | 65.00 | 16.00 | 46.00 | 87.50 | 26.50 | —      | —     | —     | —     |
| 60kg     | —        | 174.00 | 145.00 | 65.00 | 16.50 | 49.00 | 94.90 | 30.10 | —      | —     | —     | —     |

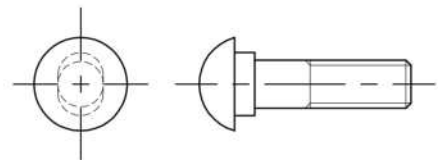
### ●継目板 (ペーシ)



### ●レールクリップ



### ●継目板ボルト・ナット (モール)



### ●スパイキ

